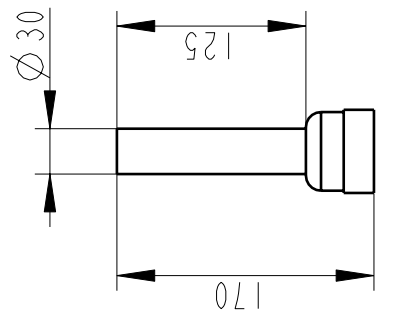
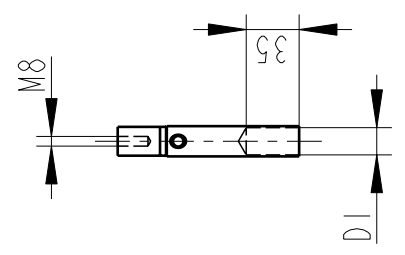


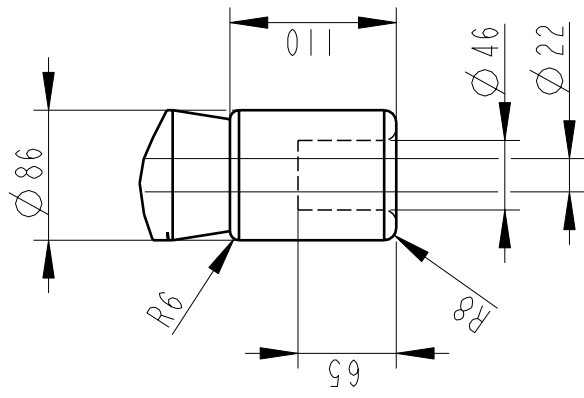
OUTER TERMINAL



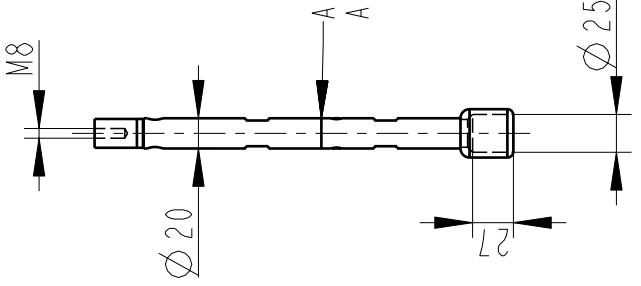
INNER TERMINAL FOR STRANDED CABLE



END SHIELD



SOLID ROD CONNECTOR



The solid rod can be divided either:
 Alt.1: 20mm below the bushing flange or
 Alt.2: 20mm below the upper end of the bottom porcelain

Bushing Data:

Rated Voltage	52 kV
Phase to Ground Voltage	52 kV
Dry Lightning Impulse 1,2/50µs	250 kV
Wet power frequency AC	105 kV
Routine test Imin dry 50Hz	120 kV
Rated Current	800 A
Creepage Distance	1500±50 mm
Creepage Distance Protected	580 mm
Mass	28 kg

Ordering Data:

BUSHING	LF123175_M	COLOUR AIR INSULATOR	BROWN
	-N		LIGHT GREY
OUTER TERMINAL	LF 170 002-A		Cu, Ø30, L=125
	LF 170 001-A		Al, Ø30, L=125
OTHER TYPES ON REQUEST			
INNER TERMINAL FOR STRANDED CABLE			
For brazing		Conductor area	D1
LF 170 011-S		up to 150mm ²	Ø18
LF 170 011-U		Undrilled with pilot hole Ø5	
For crimping or brazing		Conductor area	D1
LF 170 010-M		50mm ²	Ø11
LF 170 010-N		70mm ²	Ø13
LF 170 010-L		95mm ²	Ø15
SOLID ROD CONNECTOR			
LF 170 019 -BB for Alt.1			
LF 170 019 -BC for Alt.2			

ABB Components		Luvia, Sweden	
No.	kg	mm	V
Urdu	kg	L	A 50/60 Hz
LI, SI, AC	mm	V	kV
M	kg	L	mm
C1	mm	V	
C2	mm	V	

Based on	Reg. No.	Title
Prepared	Responsible department	GOB 250-800-0.5
Lövnord	COM/BK	WITH OIL LEVEL GAUGE
Approved	Take over department	LONG END SHIELD
Johansson	Database	
Design engineering review		
Hedlund		
ABB ABB Components		Document No.
		2751369-174

Language	82
Page	1(1)

We reserve all rights in this document and in the information contained therein. Reproduction, use or disclosure to third parties without express authority is strictly forbidden.
 ©ABB